

Toggled iQ® Area Lighting Controller

Provides power switching and dimming interface between existing luminaires, rooms, or entire circuits (up to 20A) and Toggled iQ networked lighting controls.

System Compatibility

Works with Toggled iQ networked lighting controls.

Features

- **Extended Universal Voltage**
Supports 120-347VAC as the input supply and connected load(s).
- **Dimming Control**
Two 0-10V isolated outputs provide dimming and CCT control for compatible luminaires or drivers using a Class 1 or Class 2 installation.
- **Power Monitoring**
Capable of providing integrated voltage and current measurements for monitoring and reporting connected load power consumption and quality.
- **0-10V Input**
AC line isolated 0-10V input allows for the use of existing or third-party 0-10V sensors and wall-controls.
- **Mounting**
Threaded adapter allows for installation in standard 1/2" knockouts on luminaires and junction boxes.
- **Durable Construction**
Designed and engineered in the USA with a shatterproof plenum-rated polycarbonate enclosure and high-quality electronic components.



System Capabilities

(Pairing with Toggled iQ sensor(s) expands capabilities)

- **Occupancy/Vacancy**
Enables connected devices the ability to turn on/off when motion is detected.
- **Daylight Harvesting**
Connected, dimmable devices become capable of adjusting their brightness to compensate for natural light level changes throughout the day.

(Pairing with Toggled iQ switch(es) expands capabilities)

- **Scheduling**
Enables customized automation of 7-day schedules.

(Pairing with the free Toggled iQ app expands capabilities)

- **Scenes**
Create customized lighting scenes with brightness and color settings changed for individual or groups of area controllers.

Ordering Information

Series	Device	Variant
T	AC	001
<p>T = Toggled iQ AC = Area Lighting Controller 001</p>		



The Toggled iQ system is listed on the DesignLights Consortium-registered (DLC) Qualified Products List (QPLs) and qualifies for most applicable utility rebates requiring Title 24 and ASHRAE compliance.

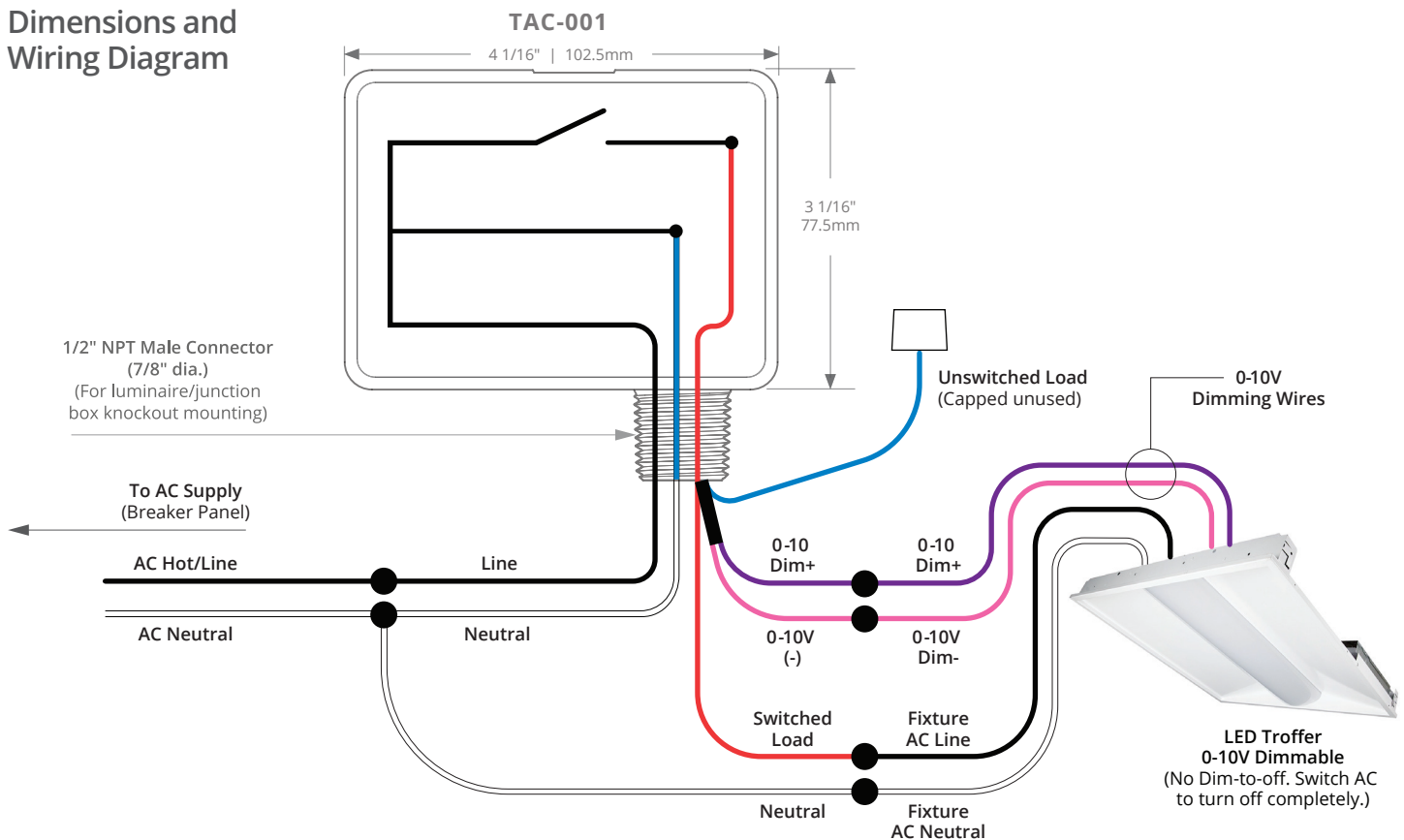
Specifications (Toggled iQ Area Lighting Controller)

- Operating Conditions**
 -30C to 65C (-22F to 149F); Indoor use only
- Dimensions** (excluding threaded adapter)
 4-1/16" x 3-1/16" x 1-11/16" [102.5mm x 77.5mm x 42.8mm]
- AC Input/Output**
 120-347VAC - 60Hz
- 0-10V Outputs**
 Isolated, Suitable for Class 1 or Class 2 installations
 Current sinking capacity: 50mA per channel
- 0-10V Input**
 Current sourcing capacity: 650µA
- Power Monitoring Measurements**
 Input voltage
 Load current and power consumption
 (switched and unswitched, separately)
- Rated Load Capacity**

	45C	65C
120-347VAC Resistive	20A	10A
120-277VAC Elec. Ballast	20A	10A
120-277VAC Standard Ballast	20A	10A
120-347VAC Standard Ballast	15A	10A
120-347VAC General Purpose	20A	10A
- Compliance**
 UL 916 (Energy Management Equipment)*
 UL 2043 (Heat and Smoke Release for Air-Handling Spaces)*
 FCC Part 15 / ICES-003*
 Contains FCC ID: 2ARCM-6201852
 Contains IC: 24359-6201852

*Testing/approval in-progress.

Dimensions and Wiring Diagram



Disclaimer: Toggled reserves the right to make changes to specific items and/or to discontinue any product at any time without notice or obligation and will not be liable for any consequences resulting from the use of this publication.