



8ft-to-4ft Retrofit Kit Installation Instructions (English)

MODEL: FC8TO4

Included:

Installation Instructions
Lampholder Bracket Assembly
Wire nuts (x2)
Self-tapping screws #8 X 1/2" (x8)

Sold Separately:

UL recognized Type-B LED Tubes (Single-ended Power)

Required Tools:

Wire cutters/strippers
Drill/impact driver
1/4" Hex-drive bit
1/8" drill bit (optional)

Important Information - Read before beginning installation:

Warning - Risk of fire or electric shock. Luminaire wiring and electrical parts may be damaged when drilling for installation of LED retrofit kit. Check for enclosed wiring and components.

Warning - Risk of fire or electric shock. LED Retrofit Kit installation requires knowledge of luminaires electrical systems. If not qualified, do not attempt installation. Contact a qualified electrician.

Warning - Risk of fire or electric shock. Install this kit only in the luminaires that have the construction features and dimensions shown in the photographs and/or drawings and where the input rating of the retrofit kit does not exceed the input rating of the luminaire.

Warning - To prevent wire abrasion, do not expose wiring to edges of sheet metal or other sharp objects.

Warning - This fixture must be grounded and installed in accordance with all national and local electrical codes, by a person familiar with the construction and operation of the product and the hazards involved.

Warning - The combined wattage of the replacement Type-B LED tubes shall not exceed the rated wattage of the intended luminaire.

Only those open holes indicated in the photographs and/or drawings may be made or altered as a result of kit installation. Do not leave any other open holes in an enclosure of wiring or electrical components.

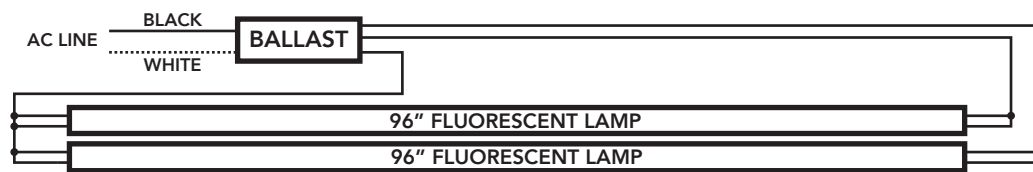
This device is not intended for use with emergency exits.

This retrofit process does not change the environmental rating of the fixture being retrofitted. For damp location placements, the fixture needs to be rated as such.

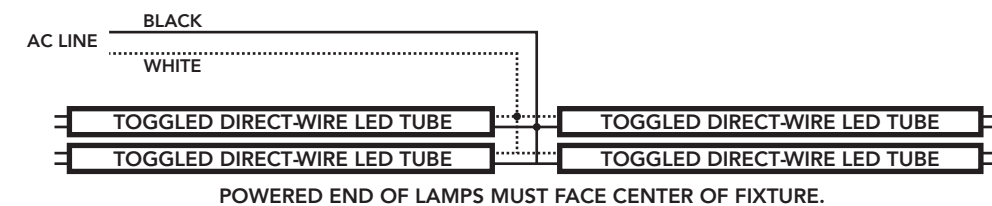
This kit is intended for indoor use or weather protected fixtures only. Do not use where directly exposed to water or water spray.

This retrofit kit is accepted as a component of a luminaire where the suitability of the combination shall be determined by authorities having jurisdiction.

BEFORE RETROFIT:



AFTER RETROFIT:



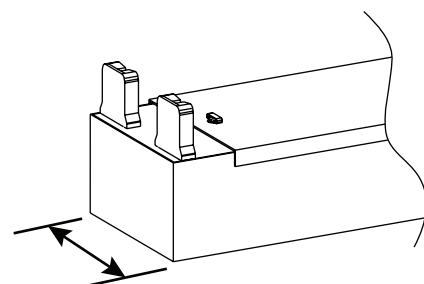
Installation

IMPORTANT - Installation of this retrofit kit requires modification of the wiring within the existing fluorescent fixture. Please read the entire installation instructions before beginning your installation.

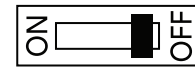
Please examine all parts that are not intended to be replaced by the retrofit kit for damage and replace any damaged parts prior to installation of the retrofit kit.

IMPORTANT: This retrofit kit is only suitable for fixtures with widths of 4.25" or 5". Please verify this dimension in the drawing shown.

The fixture must also have (2) 4ft housing covers. If the fixture has (1) 8ft housing cover, do not use this kit as you will not be able to enclose the wiring compartment.

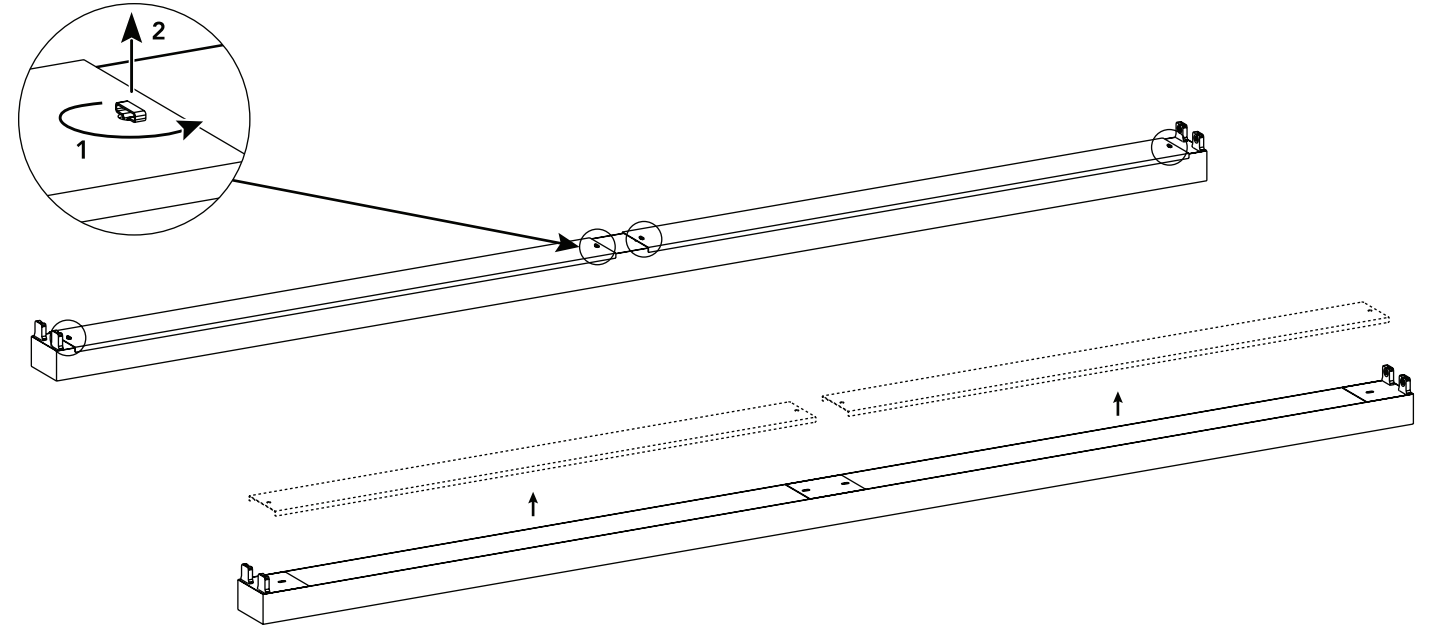


1. Turn off power to the fluorescent fixture at the circuit breaker.

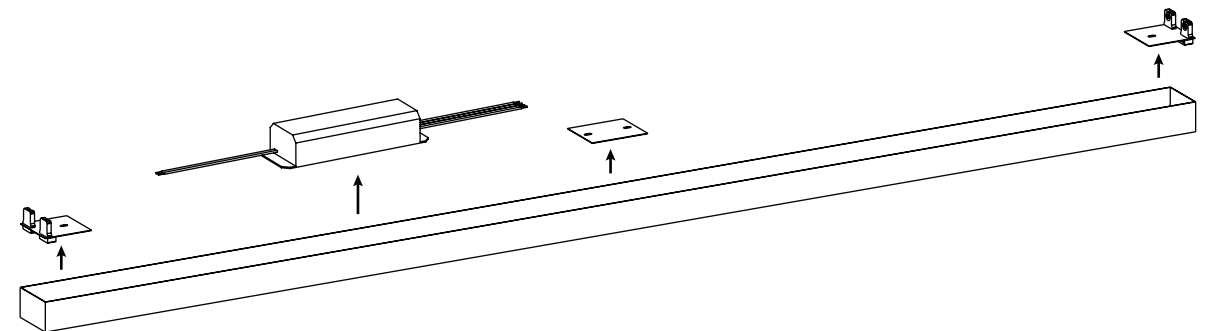


2. Remove existing fluorescent tubes.

3. Remove housing covers by first twisting and pulling retainer clips. Set all aside for reinstallation later.

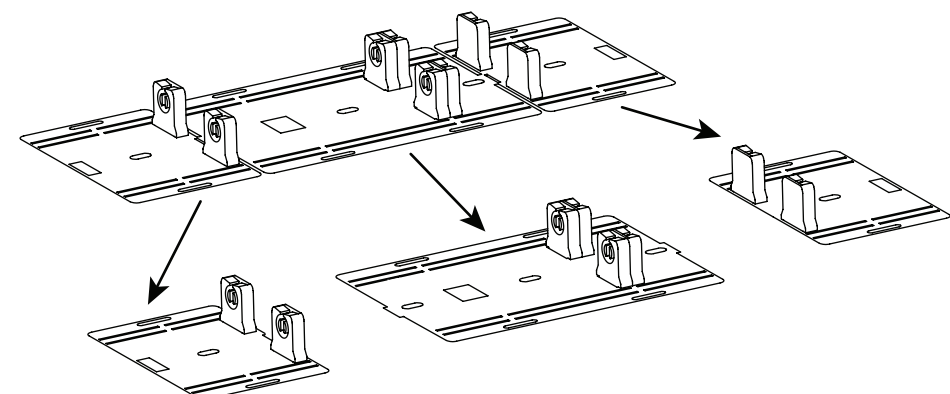


4. Disconnect and remove fluorescent ballast(s), lampholders, and lampholder brackets.



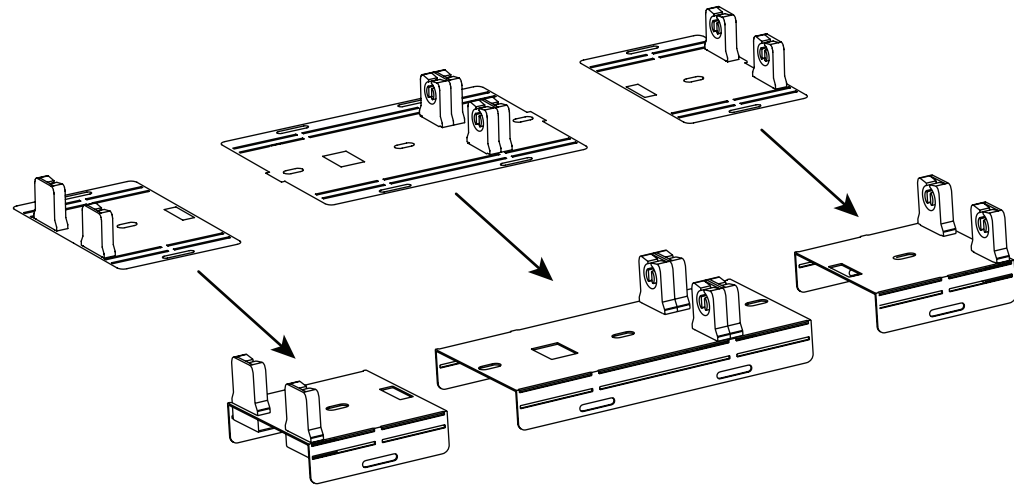
5. Separate new bracket assembly into 3 pieces.

Assembly may be separated by bending the brackets at the connecting points back and forth until they detach.



Installation (Continued)

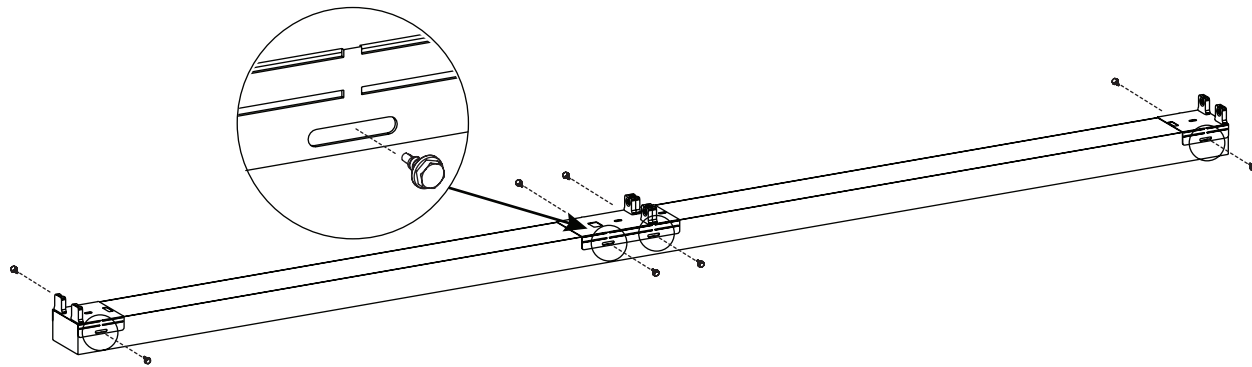
6. Fold bracket edges to fit the width of the existing fixture.



7. Attach new brackets to existing fixture using (8) included self-tapping screws.

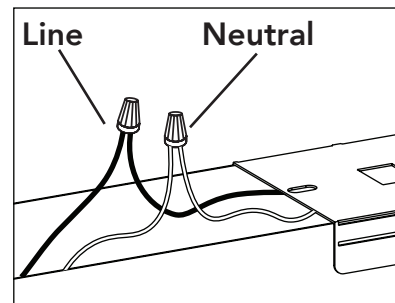
End-brackets should align with the end of the fixture. Use one of the 4ft LED lamps as a guide for aligning the center bracket.

Screws should be installed using a drill/impact driver with a 1/4" hex-drive bit (not included). Screws should drill holes on their own, but some may find it easier to mark required hole locations and pre-drill 1/8" holes before installing screws.



8. Connect lampholder wire harness to incoming AC power source.

Connect black wire to incoming line wire (typically black) and white wire to incoming neutral wire (typically white).



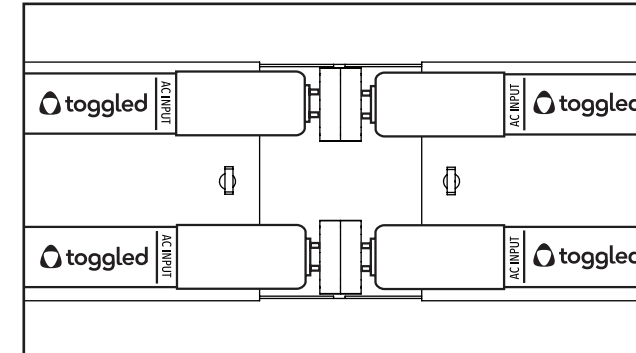
9. Reinstall original housing covers using the original retaining clips.

10. Install new UL Type-B Direct-Wire (Singed-Ended) LED tubes.

IMPORTANT: Use only UL recognized Type-B LED tubes with this retrofit kit.

The total wattage of the LED tubes shall not exceed the rated wattage of the target luminaire.

Align the powered end of the tubes to the powered lampholders in the center of the fixture.

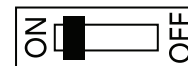


Note regarding Toggled Direct-Wire (UL Type-B) Lamps:

Toggled logo and "AC INPUT" markings shown for illustration purposes. When lamp is fully seated in lampholders, the Toggled logo, "AC INPUT" and other markings should face the fixture and the point of the triangular lamp should face the room.

11. Turn on power to the fixture at the circuit breaker.

If any of your tubes do not turn on, check the orientation.



Confirm tube powered end is connected to the powered lampholder in center of the fixture.

Troubleshooting

For additional help or support, please contact Toggled support:
Phone 1.844.864.4533. Email support@toggled.com

| Symptom | Potential Causes | Remedy |
|---|---|--|
| No light from LED tube(s) when powered on. | LED tube installed backwards | Ensure the lamp is installed with the "AC Input" marking on the powered end of the fixture |
| | Fixture wired improperly or loose connections exist | <ul style="list-style-type: none"> Verify wiring matches instructions Check wire-nuts for loose connections Verify voltage at lampholder(s), verify 120-277VAC is supplied to pins on powered end of lamp |
| | Damaged LED tube | Contact Toggled (1.844.864.4533, support@toggled.com) |
| Circuit breaker trips when power is turned on | Fixture wired improperly | <ul style="list-style-type: none"> Verify wiring matches instructions Check wire-nuts for loose connections Verify voltage at lampholder(s), verify 120-277VAC is supplied to pins on powered end of lamp |
| All other issues | Unknown | Contact Toggled (1.844.864.4533, support@toggled.com) |

FCC Notice

This device complies with Part 15 of the FCC Rules and with Industry Canada license-exempt RSS Standards. Operation is subject to the following two conditions:

- This device may not cause harmful interference.
- This device must accept any interference received, including interference that may cause undesired operation.

This equipment has been tested and found to comply with the limits for a Class B digital device, pursuant to part 15 of the FCC Rules. These limits are designed to provide reasonable protection against harmful interference in a residential installation. This equipment generates, uses and can radiate radio frequency energy and, if not installed and used in accordance with the instructions, may cause harmful interference to radio communications. However, there is no guarantee that interference will not occur in an installation. If this equipment does cause harmful interference to radio or television reception, which can be determined by turning the equipment off and on, the user is encouraged to try to correct the interference by one or more of the following measures:

- Reorient or relocate the receiving antenna.
- Increase the separation between the equipment and receiver.
- Connect the equipment into an outlet on a circuit different from that to which the receiver is connected.
- Consult the dealer or an experienced radio/TV technician for help.

Changes or modifications not expressly approved by Toggled could void the user's authority to operate the equipment. This equipment complies with FCC radiation exposure limits set forth for an uncontrolled environment. This equipment should be installed and operated with minimum distance 20cm between the radiator and your body.