

Toggled iQ® Fixture Controller

Provides 0-10V dimming interface between suitably equipped* luminaires and the Toggled iQ smart building system.

System Compatibility

Works with the Toggled iQ smart building system.

Features

- **Dimming / Color Control**
Two 0-10V outputs provide dimming and CCT control for compatible luminaires.
- **Flexible Supply Requirements**
Compatible with auxillary power sources of 12-24VDC.
- **Control Input**
Interface with inexpensive low-voltage luminaire mounted sensors to expand capabilities.
- **Mounting**
Threaded adapter allows for installation in standard 1/2" knockouts on luminaires.
- **Durable Construction**
Designed and engineered in the USA with a shatterproof plenum-rated polycarbonate enclosure and high-quality electronic components.

* Luminaire must provide 12-24VDC auxillary power source for fixture controller and be capable of dimming-to-off using 0-10V control.



System Capabilities

(Pairing with Toggled iQ sensor(s) expands capabilities)

- **Occupancy/Vacancy**
Enables connected devices the ability to turn on/off when motion is detected.
- **Daylight Harvesting**
Connected, dimmable devices become capable of adjusting their brightness to compensate for natural light level changes throughout the day.

(Pairing with Toggled iQ switch(es) expands capabilities)

- **Scheduling**
Enables customized automation of 7-day schedules.

(Pairing with the free Toggled iQ app expands capabilities)

- **Scenes**
Create customized lighting scenes with brightness and color settings changed for individual or groups of fixture controllers.

Ordering Information

Series	Device	Variant
<input style="width: 100px; height: 20px;" type="text"/> T = Toggled iQ	<input style="width: 150px; height: 20px;" type="text"/> FC = Fixture Controller	<input style="width: 50px; height: 20px;" type="text"/> 001



The Toggled iQ system is listed on the DesignLights Consortium-register mark- (DLC) Qualified Products List (QPLs) and qualifies for most applicable utility rebates requiring Title 24 and ASHRAE compliance.

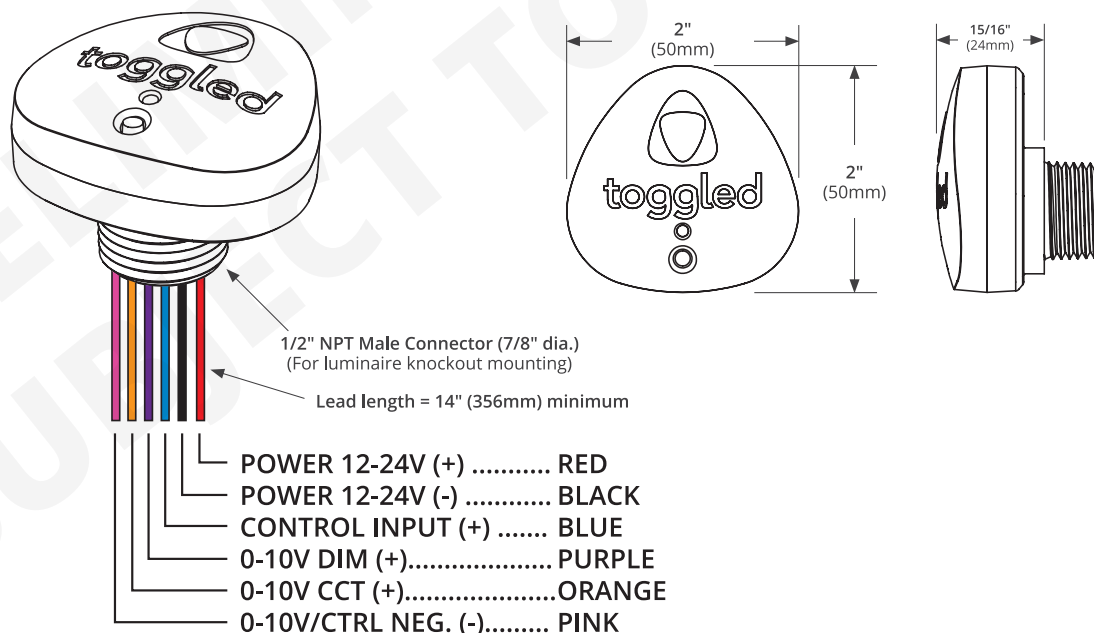
Toggled iQ

Fixture Controller

Specifications

- Operating Conditions**
 -30C to 65C (-22F to 149F); Indoor locations
- Dimensions** (excluding threaded adapter)
 2" x 2" x 15/16" [50mm x 50mm x 24mm]
- DC Input**
 Nominal input: 12-24VDC
 Absolute minimum input: 10.9VDC
 Absolute maximum input: 30.0VDC
- 0-10V Outputs**
 1 x 0-10V Dimming Control Output
 1 x 0-10V Color/CCT Control Output
 10mA sinking capacity per channel
- Control Input**
 Input Range: 0-24V
 Contact Toggled for more information regarding control input interfacing.
- Compliance**
 UL 916 (Energy Management Equipment)[†]
 UL 2043 (Heat and Smoke Release for Air-Handling Spaces)[†]
 FCC Part 15 / ICES-003[†]
 Contains FCC ID: 2ARCM-6201852
 Contains IC: 24359-6201852
[†] Testing/approval in-progress.

Dimensions and Wiring Diagram



Disclaimer: Toggled reserves the right to make changes to specific items and/or to discontinue any product at any time without notice or obligation and will not be liable for any consequences resulting from the use of this publication.