



US00D661415S

(12) **United States Design Patent**
Trumble et al.

(10) **Patent No.:** **US D661,415 S**
(45) **Date of Patent:** **** Jun. 5, 2012**

(54) **SCREW-IN LED BULB**

(56) **References Cited**

(75) Inventors: **James B. Trumble**, Royal Oak, MI
(US); **Craig Mackiewicz**, Clawson, MI
(US)

U.S. PATENT DOCUMENTS

D634,452 S * 3/2011 de Visser D26/2
D650,097 S * 12/2011 Trumble et al. D26/2
D650,494 S * 12/2011 Tsao et al. D26/2
D654,192 S * 2/2012 Maxik et al. D26/2

(73) Assignee: **ilumisys, Inc.**, Troy, MI (US)

* cited by examiner

Primary Examiner — Marcus Jackson

(**) Term: **14 Years**

(74) *Attorney, Agent, or Firm* — Young Basile

(21) Appl. No.: **29/399,299**

(57) **CLAIM**

The ornamental design for a screw-in LED bulb, as shown and described.

(22) Filed: **Aug. 11, 2011**

DESCRIPTION

Related U.S. Application Data

(62) Division of application No. 29/335,846, filed on Apr. 23, 2009, now Pat. No. Des. 650,097.

FIG. 1 is a perspective view of an embodiment the screw-in LED bulb showing our new design;
FIG. 2 is a front elevation view of the screw-in LED bulb of FIG. 1;
FIG. 3 is a rear elevation view of the screw-in LED bulb of FIG. 1;
FIG. 4 is a right side elevation view of the screw-in LED bulb of FIG. 1;
FIG. 5 is a left side elevation view of the screw-in LED bulb of FIG. 1;
FIG. 6 is a top plan view of the screw-in LED bulb of FIG. 1; and,
FIG. 7 is a bottom plan view of the screw-in LED bulb of FIG. 1.

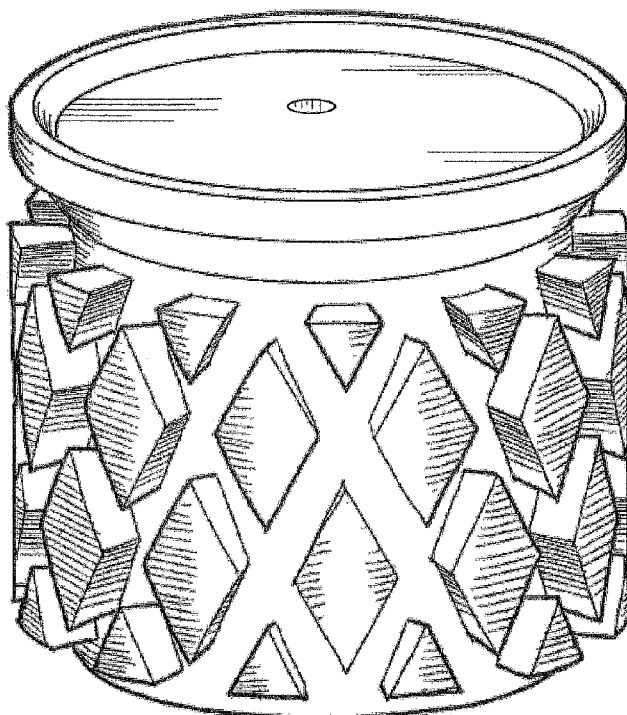
(51) **LOC (9) Cl.** **26-04**

(52) **U.S. Cl.** **D26/2**

(58) **Field of Classification Search** D26/1-4;
313/313, 315, 316, 317, 318, 493; 315/52,
315/53, 56, 57, 58

See application file for complete search history.

1 Claim, 7 Drawing Sheets



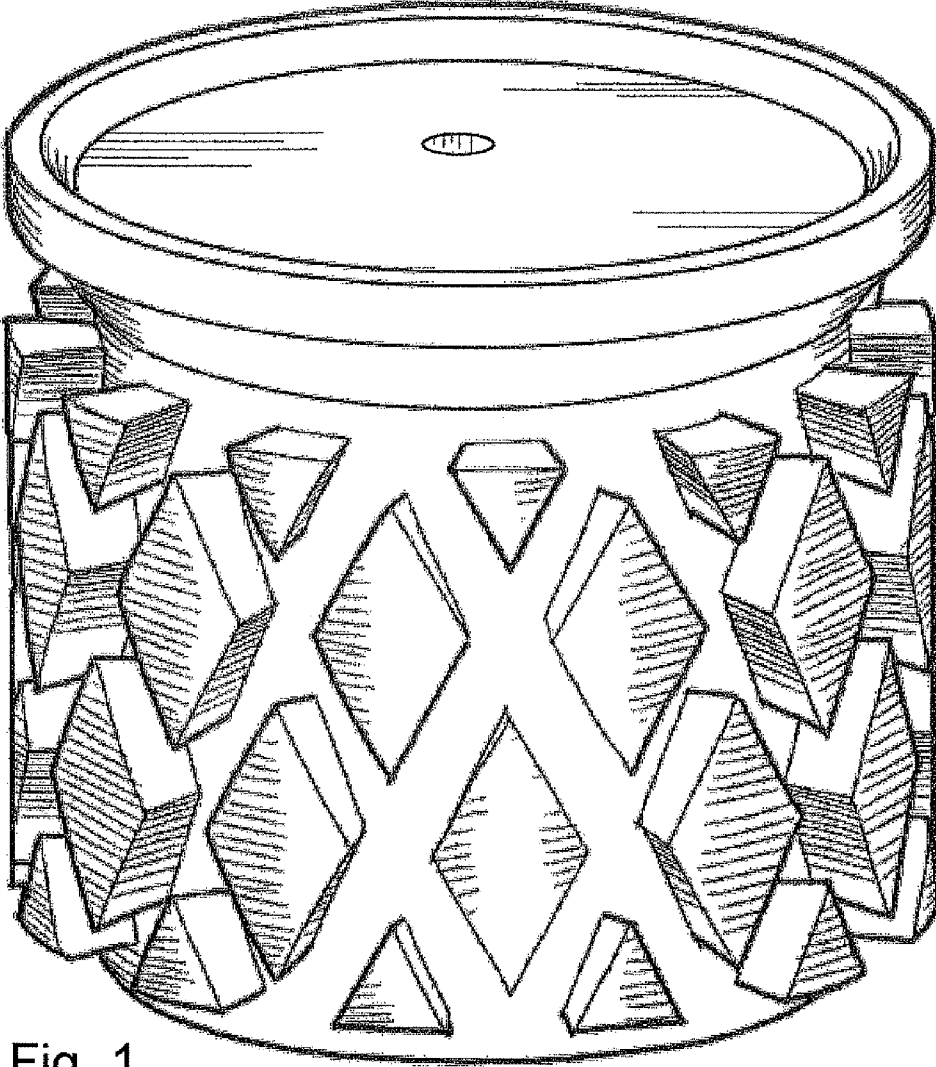


Fig. 1

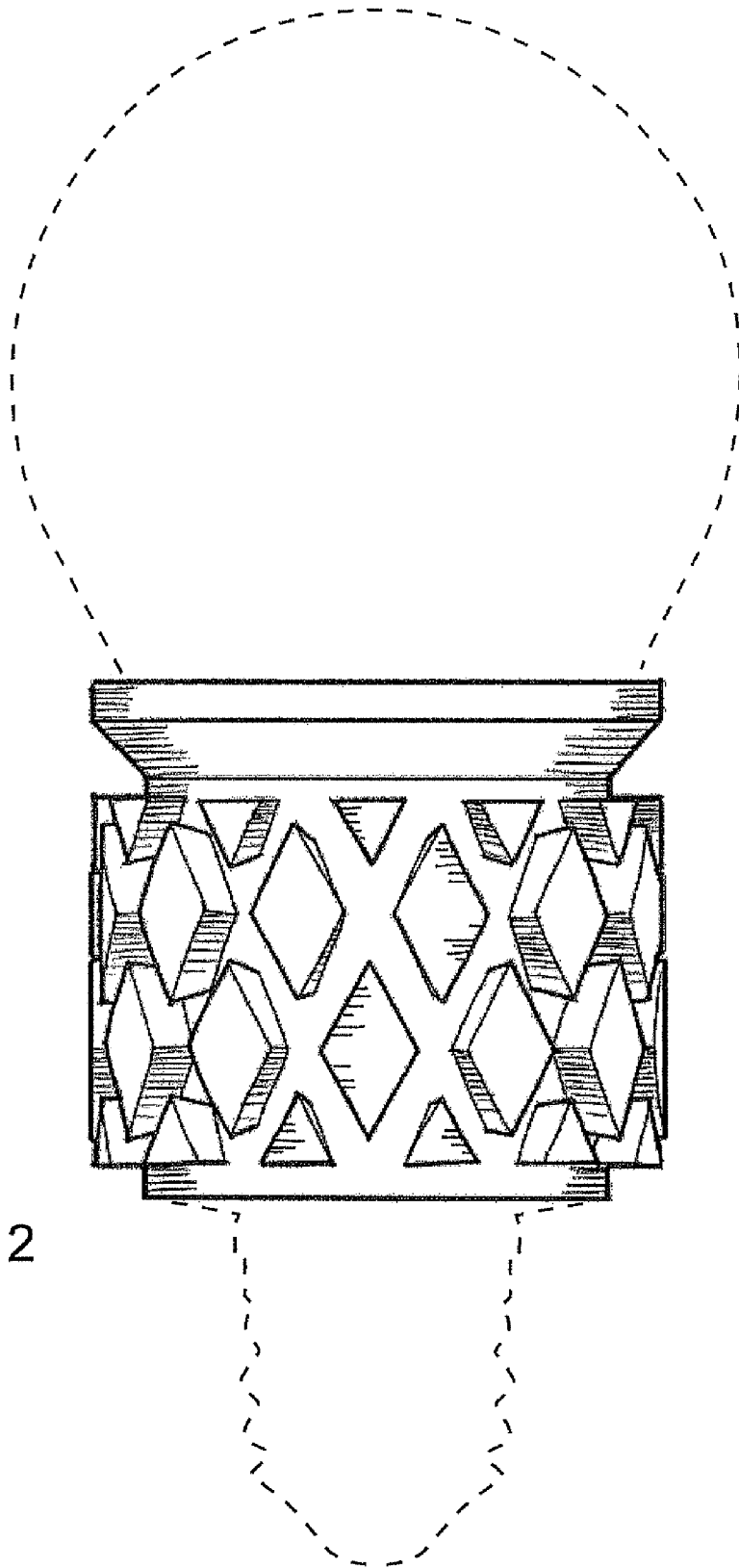


Fig. 2

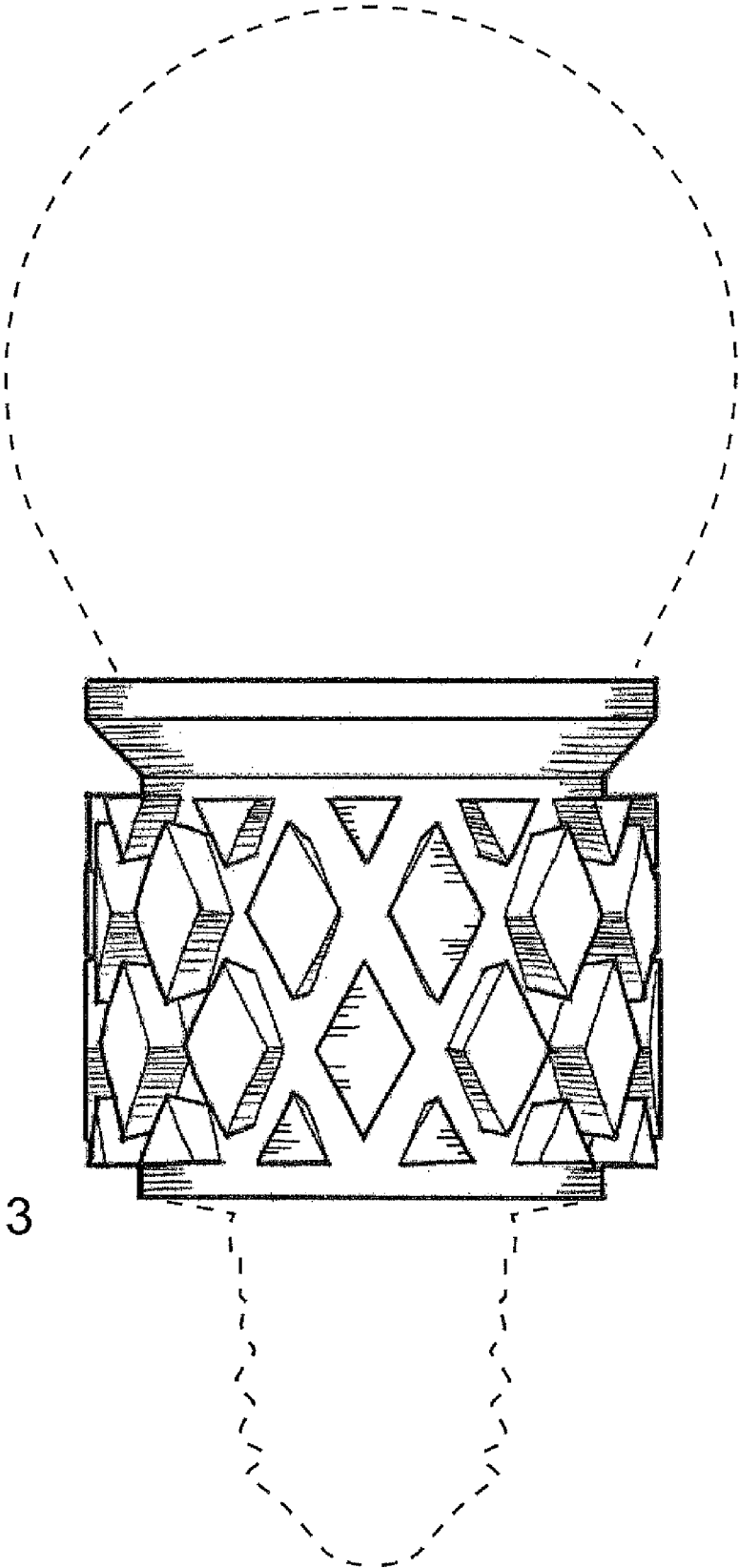


Fig. 3

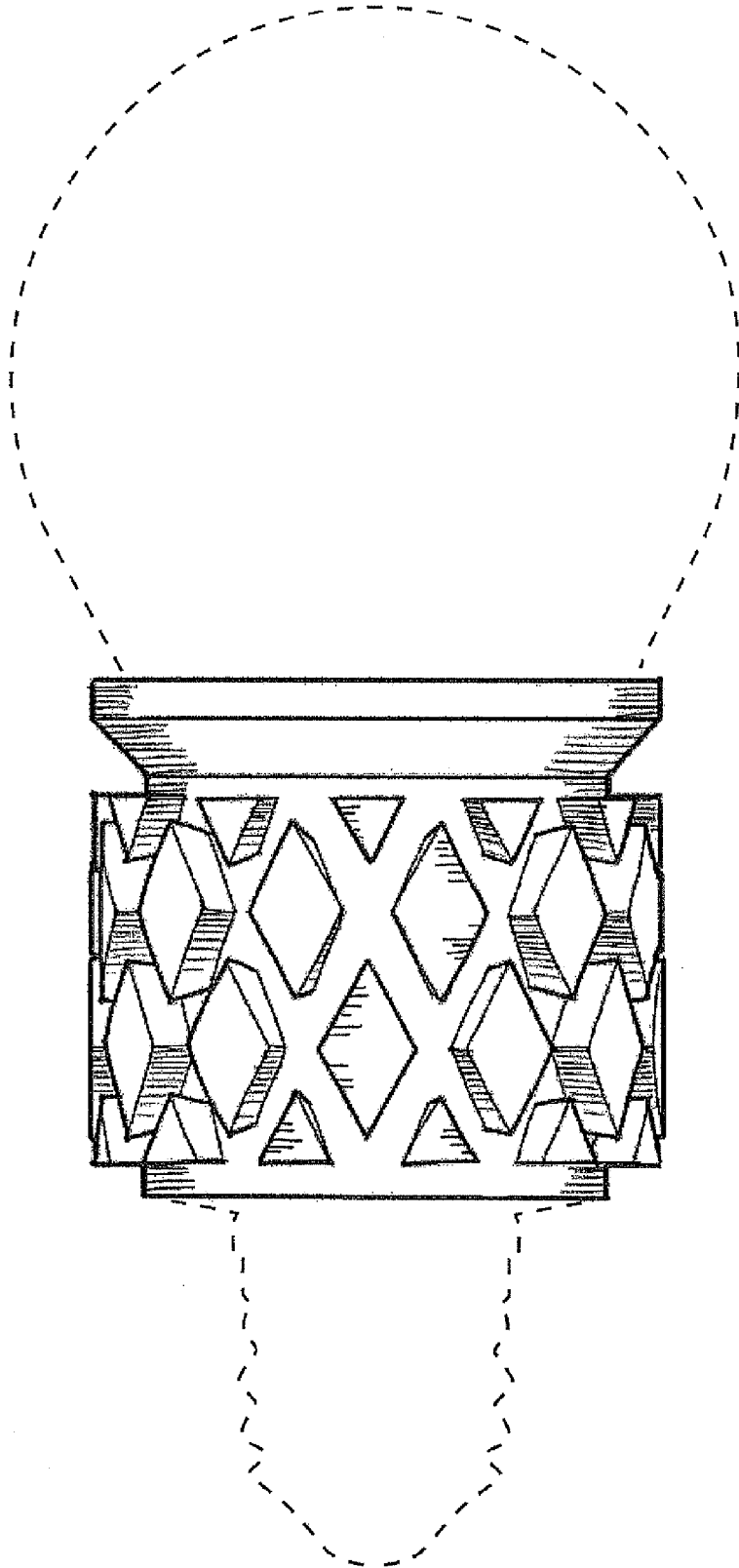


Fig. 4

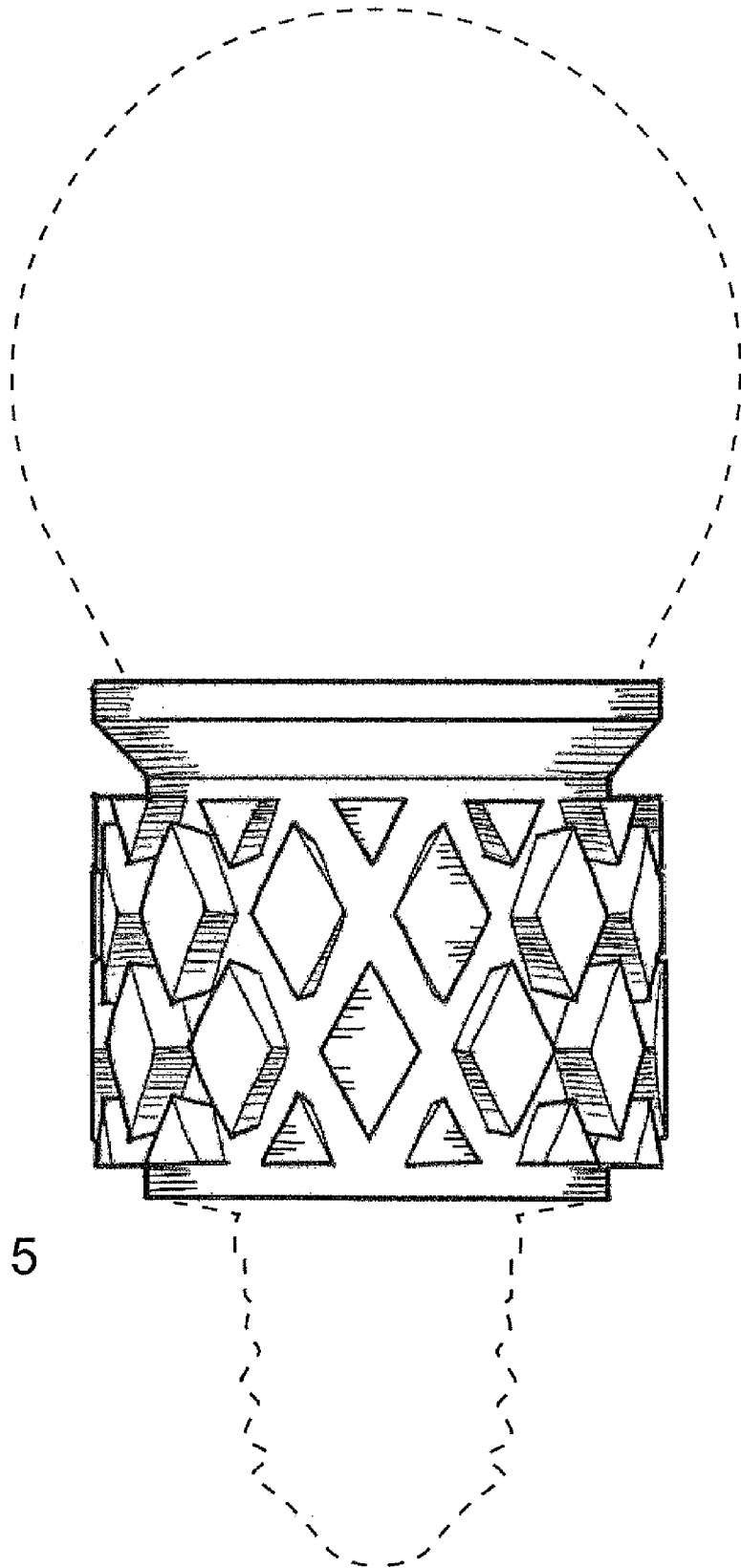


Fig. 5

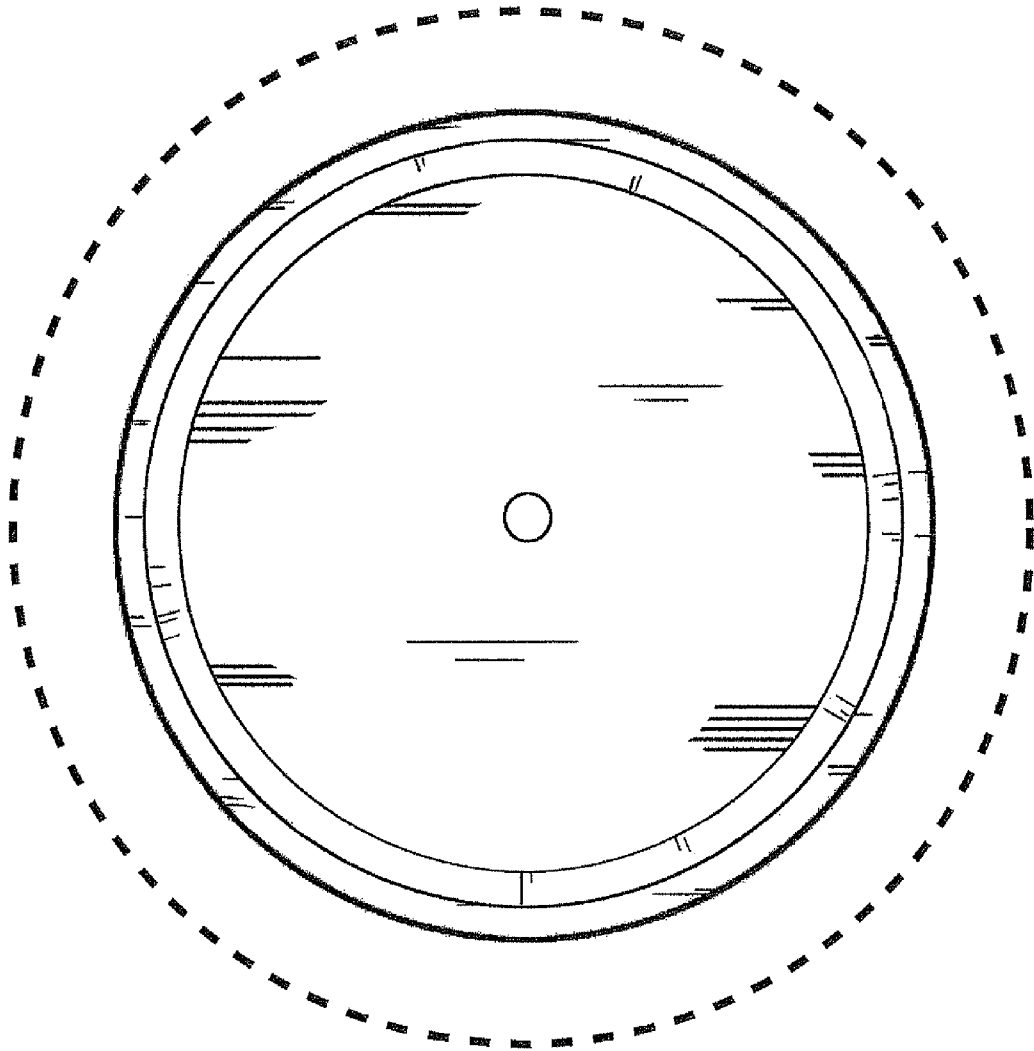


Fig. 6

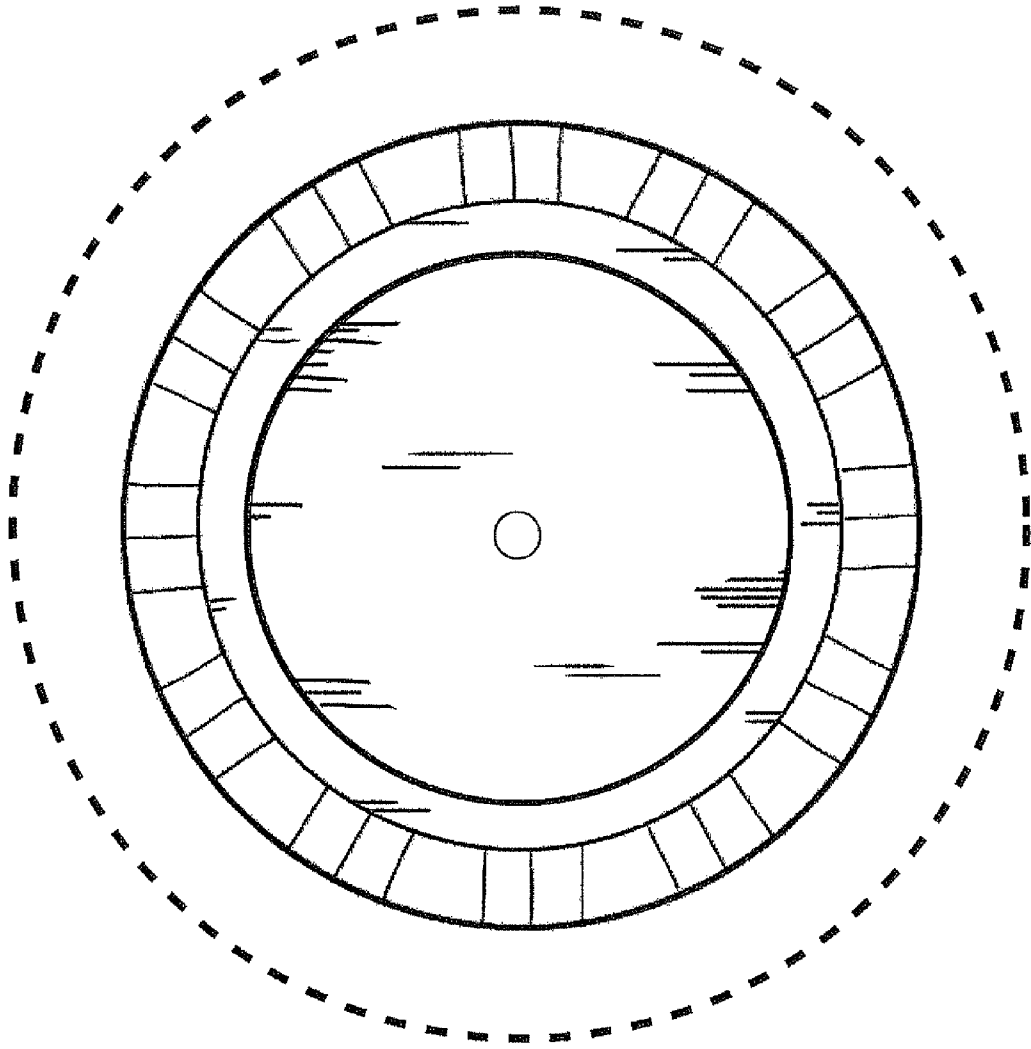


Fig. 7