



US00D650097S

(12) **United States Design Patent**  
**Trumble et al.**

(10) **Patent No.:** **US D650,097 S**

(45) **Date of Patent:** **\*\* Dec. 6, 2011**

(54) **SCREW-IN LED BULB**

(75) Inventors: **James B. Trumble**, Royal Oak, MI (US); **Craig Mackiewicz**, Clawson, MI (US)

(73) Assignee: **Altair Engineering, Inc.**, Troy, MI (US)

(\*\*) Term: **14 Years**

(21) Appl. No.: **29/335,846**

(22) Filed: **Apr. 23, 2009**

(51) **LOC (9) Cl.** ..... **26-04**

(52) **U.S. Cl.** ..... **D26/2**

(58) **Field of Classification Search** ..... D26/1-4;  
313/313, 315, 316, 317, 318, 493; 315/52,  
315/53, 56, 57, 58

See application file for complete search history.

(56) **References Cited**

**U.S. PATENT DOCUMENTS**

5,850,126 A	12/1998	Kanbar	
D437,947 S *	2/2001	Huang	..... D26/4
6,227,679 B1	5/2001	Zhang et al.	
6,598,996 B1	7/2003	Lodhie	
D553,267 S	10/2007	Yuen	
7,396,146 B2	7/2008	Wang	
D581,556 S	11/2008	To et al.	

7,521,872 B2	4/2009	Bruning	
D634,452 S *	3/2011	de Visser	..... D26/2
2007/0285926 A1	12/2007	Maxik	
2009/0046473 A1	2/2009	Tsai et al.	

\* cited by examiner

*Primary Examiner* — Marcus Jackson

(74) *Attorney, Agent, or Firm* — Young Basile

(57) **CLAIM**

The ornamental design for a screw-in LED bulb, as shown and described.

**DESCRIPTION**

FIG. 1 is a perspective view of an embodiment the screw-in LED bulb showing our new design;

FIG. 2 is a front elevation view of the screw-in LED bulb of FIG. 1;

FIG. 3 is a rear elevation view of the screw-in LED bulb of FIG. 1;

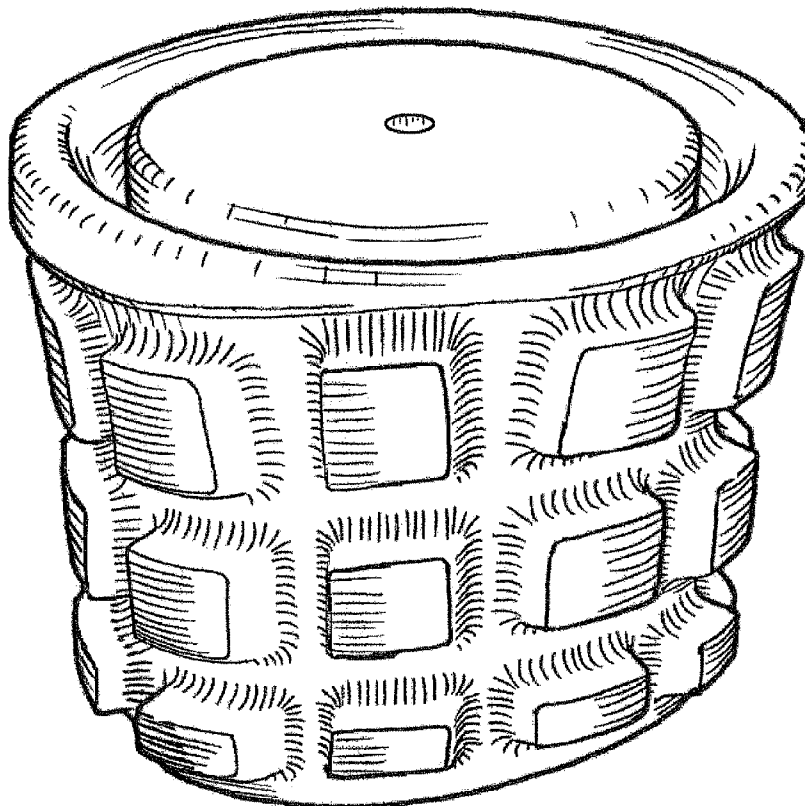
FIG. 4 is a right side elevation view of the screw-in LED bulb of FIG. 1;

FIG. 5 is a left side elevation view of the screw-in LED bulb of FIG. 1;

FIG. 6 is a top plan view of the screw-in LED bulb of FIG. 1; and,

FIG. 7 is a bottom plan view of the screw-in LED bulb of FIG. 1.

**1 Claim, 7 Drawing Sheets**



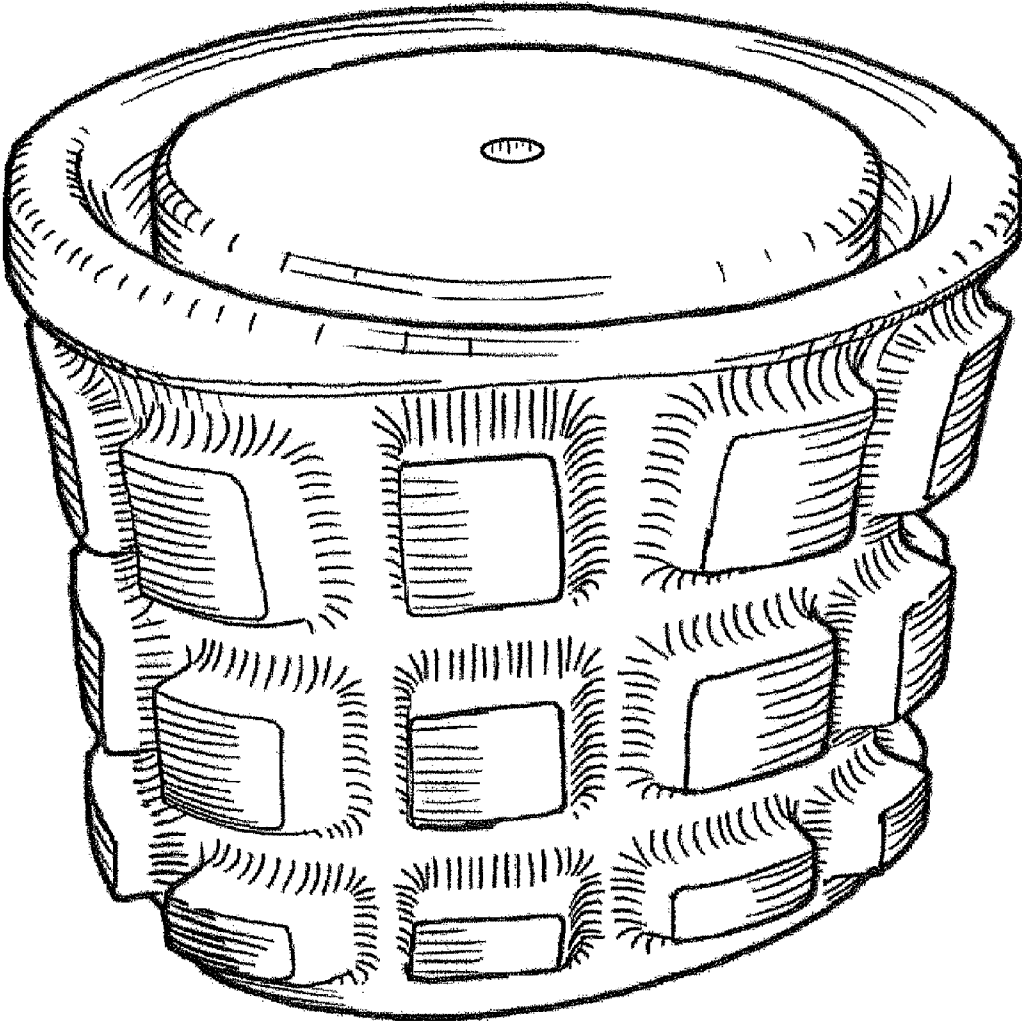


FIG. 1

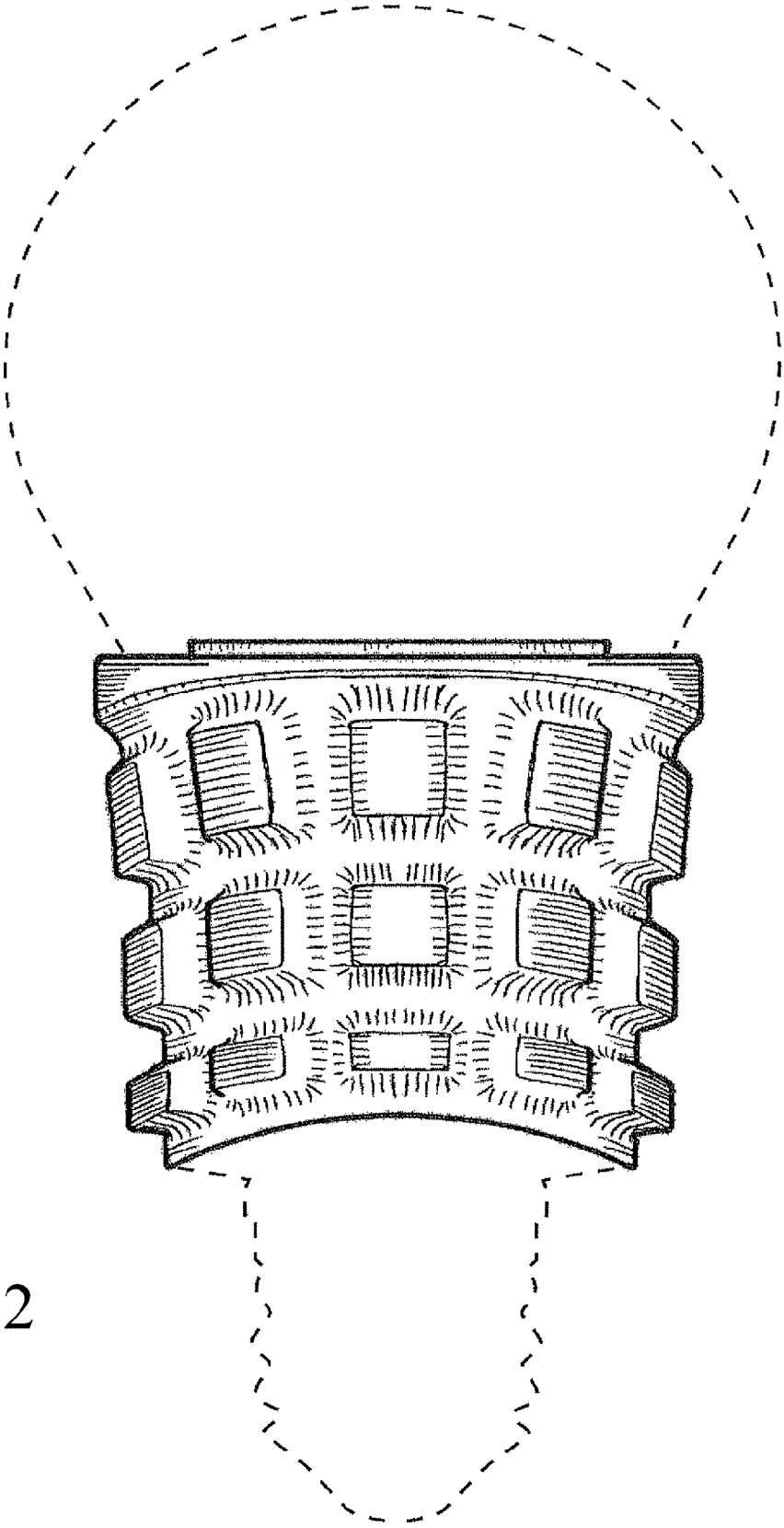


FIG. 2

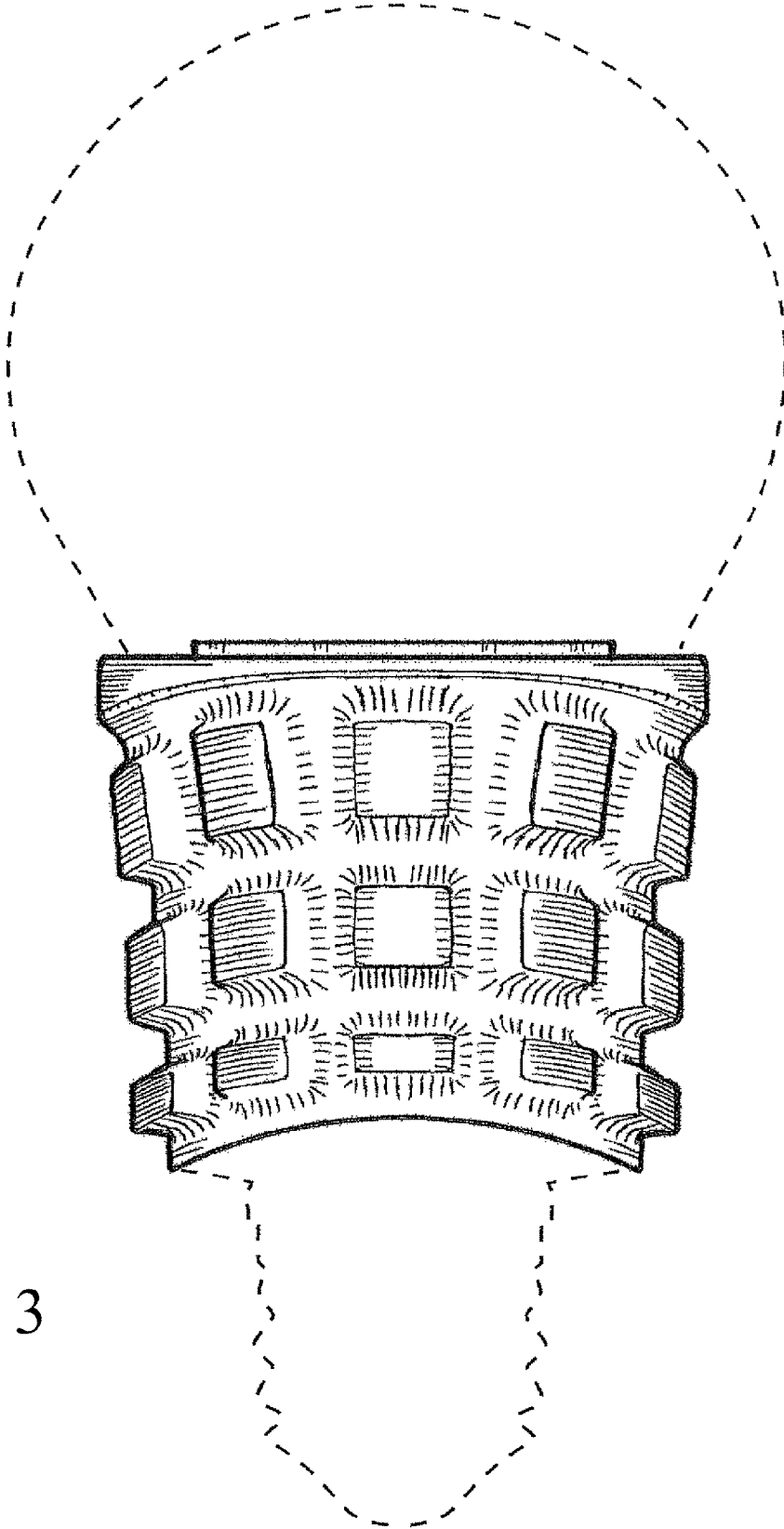


FIG. 3

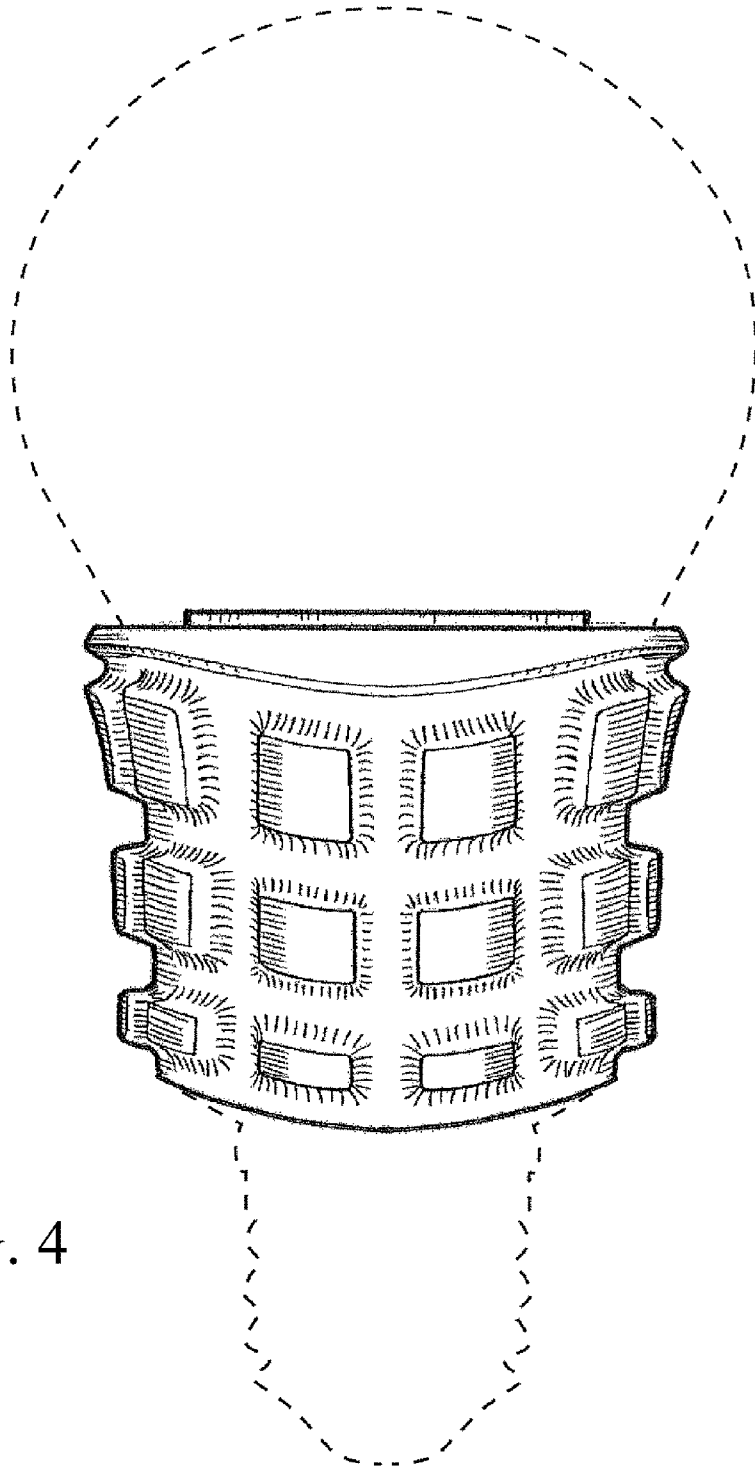


FIG. 4

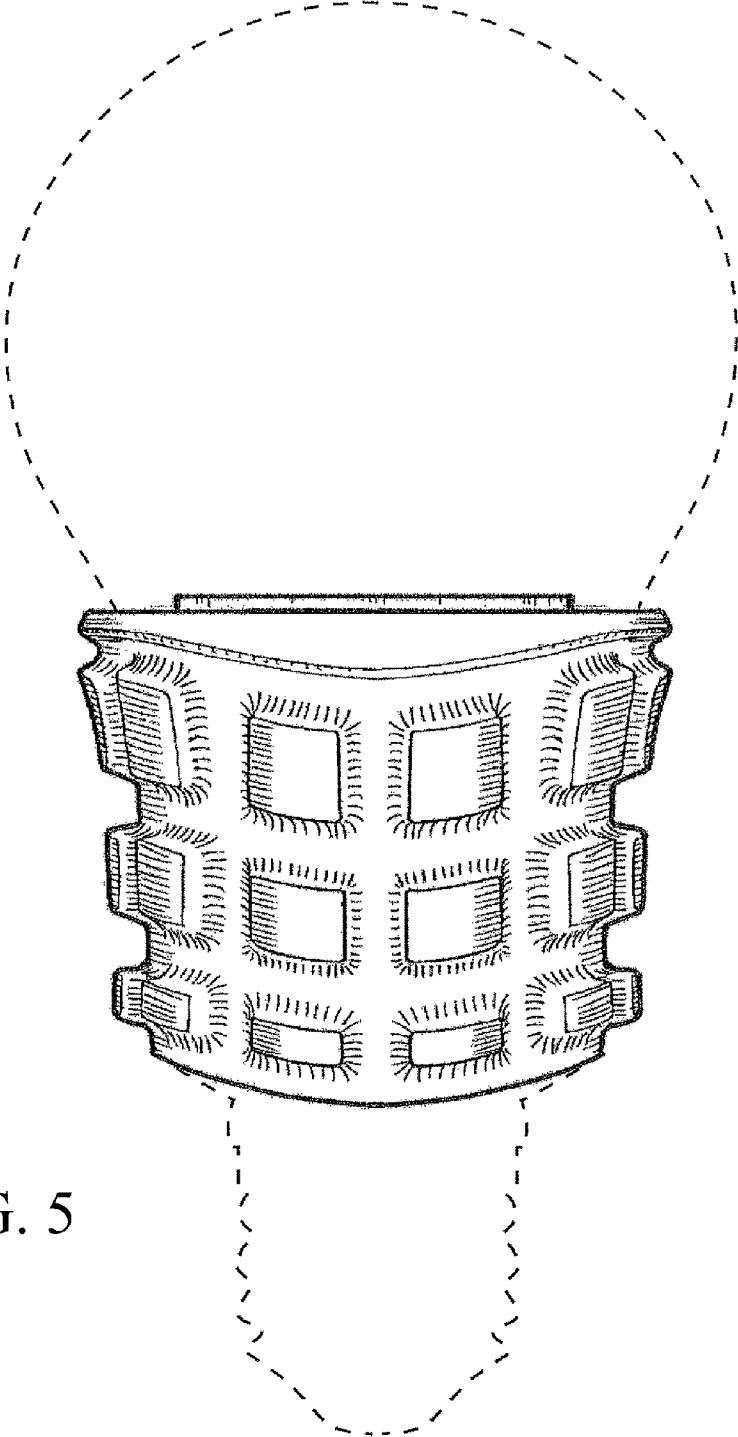


FIG. 5

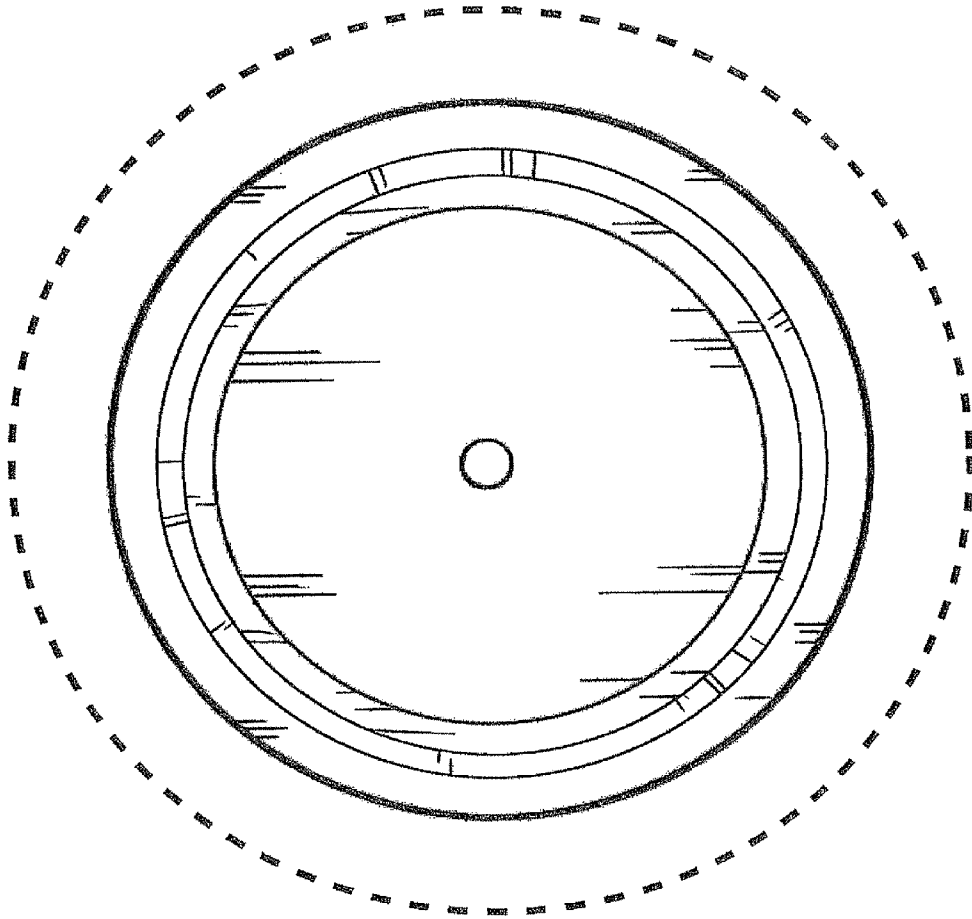


FIG. 6

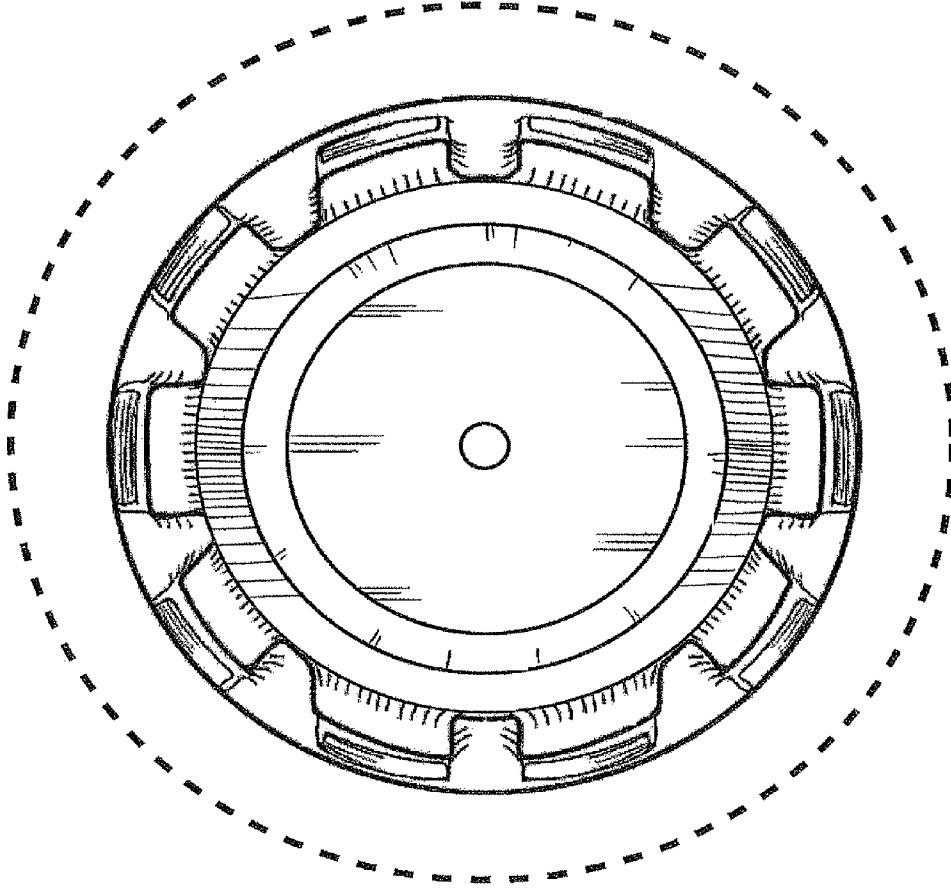


FIG. 7